



Introduction

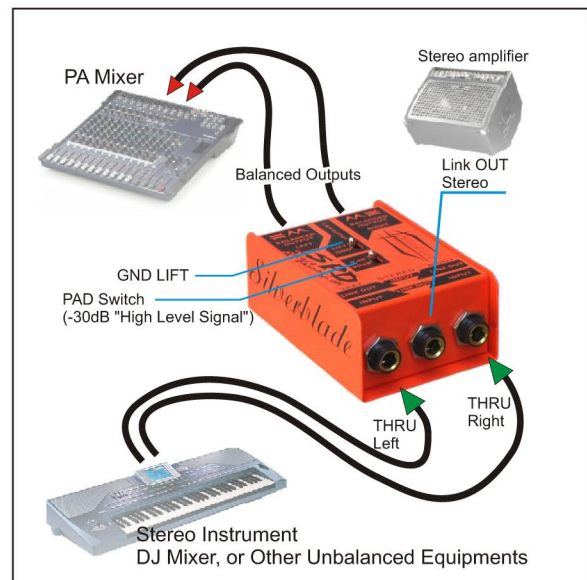
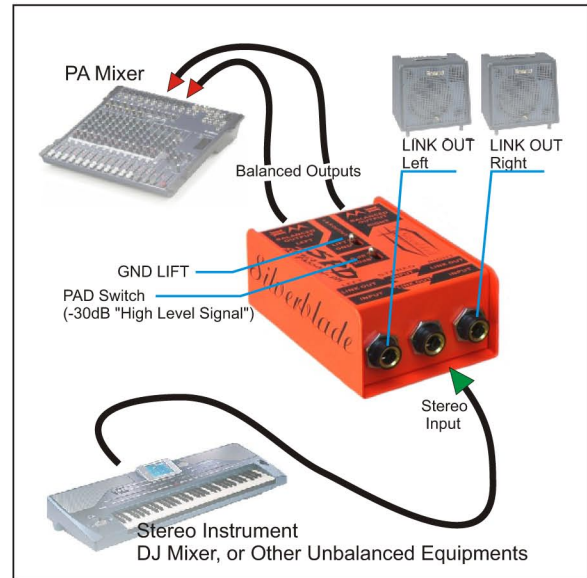
Silverblade SPD Dual Passive DI Box. Two direct boxes in one. Thank you for purchasing the Silverblade SPD Dual Passive DI Box. We would like to thank you for your confidence in the product and hope that you will enjoy your new Dual Passive DI box.

Building

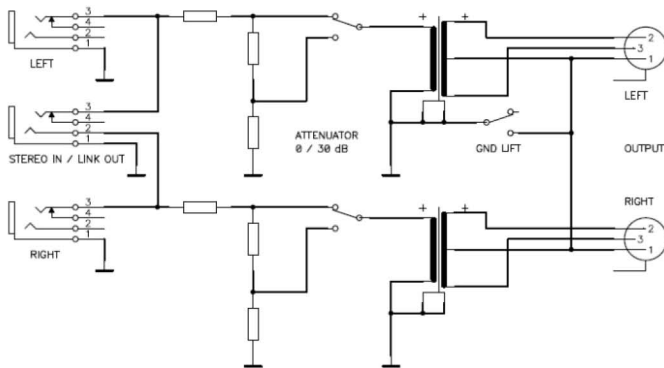
The SPD has built in strong metal housing with gold Neutrik XLR and JACK connectors, chrome switches and Permalloy transformer. It is ideally suited to let out the studio equipments of musicians as well as live/studio/broadcast engineers, installation contractors and live event engineers. The Silverblade SPD Dual Passive DI box has been created to eliminate strange noises without distortion to the music, musical instruments or speech. Electrical isolation between the input and Balanced output (XLR) or Paralell TRS Output (Jack) is provided by the transformer. The transformer core made by Permalloy for the perfect and clear sound.

Why do you need SPD!?

Because of the Ground loops. Ground loops are the most common in PA or music systems when connecting music equipments with power such as guitar amplifier and mixer. By the help of this DI box the hum and buzz are eliminated. Silverblade PDX has got advantage of requiring no power. It is very easy to use you can plug in and use... without 48V phantom-power or battery.



www.silverbladeaudio.com



Environment



Disposal of old Electrical & Electronic Equipment (Applicable throughout the European union and other European countries with separate collection programs). This symbol, found on your product or on its packaging, indicates that this product should not be treated as household waste when you wish to dispose of it. Instead, it should be handed over to an applicable collection point for the recycling of electrical and electronic equipment. By ensuring this product is disposed of correctly, you will help prevent potential negative consequences to the environment and human health, which could otherwise be caused by inappropriate disposal of this product. The recycling of materials will help to conserve natural resources. For more detailed information about the recycling of this product, please contact your local city office, household waste disposal service or the retail store where you purchased this product.

Declaration of conformity

This Declaration is based on the full compliance of the product with the following European standards:

EMC:

EN 55013 : 2001 + A1 : 2003

EN 55020 : 2002 + A1 : 2003

EN 61000-3-2 : 2000 + A2: 2005, EN 61000-3-3 : 1995 + A1 : 2001

LVD:

EN 60065